

# Embedded System Laboratories Pvt. Ltd.

(An ISO 9001:2015 certified company)

86, Lane No. 7, Near Laxmi Dairy, Gurudwara Road, Jawahar Colony,  
N.I.T. Faridabad - 121005, Haryana, India

Phone :- +91-129-2230671 Mob. +91-9811482048, 9311482051

Website :- [www.eslpl.com](http://www.eslpl.com) E-mail :- [eslfaridabad@yahoo.com](mailto:eslfaridabad@yahoo.com)

## PANCAKE TYPE TENSION / COMPRESSION LOAD CELL

### DESCRIPTION

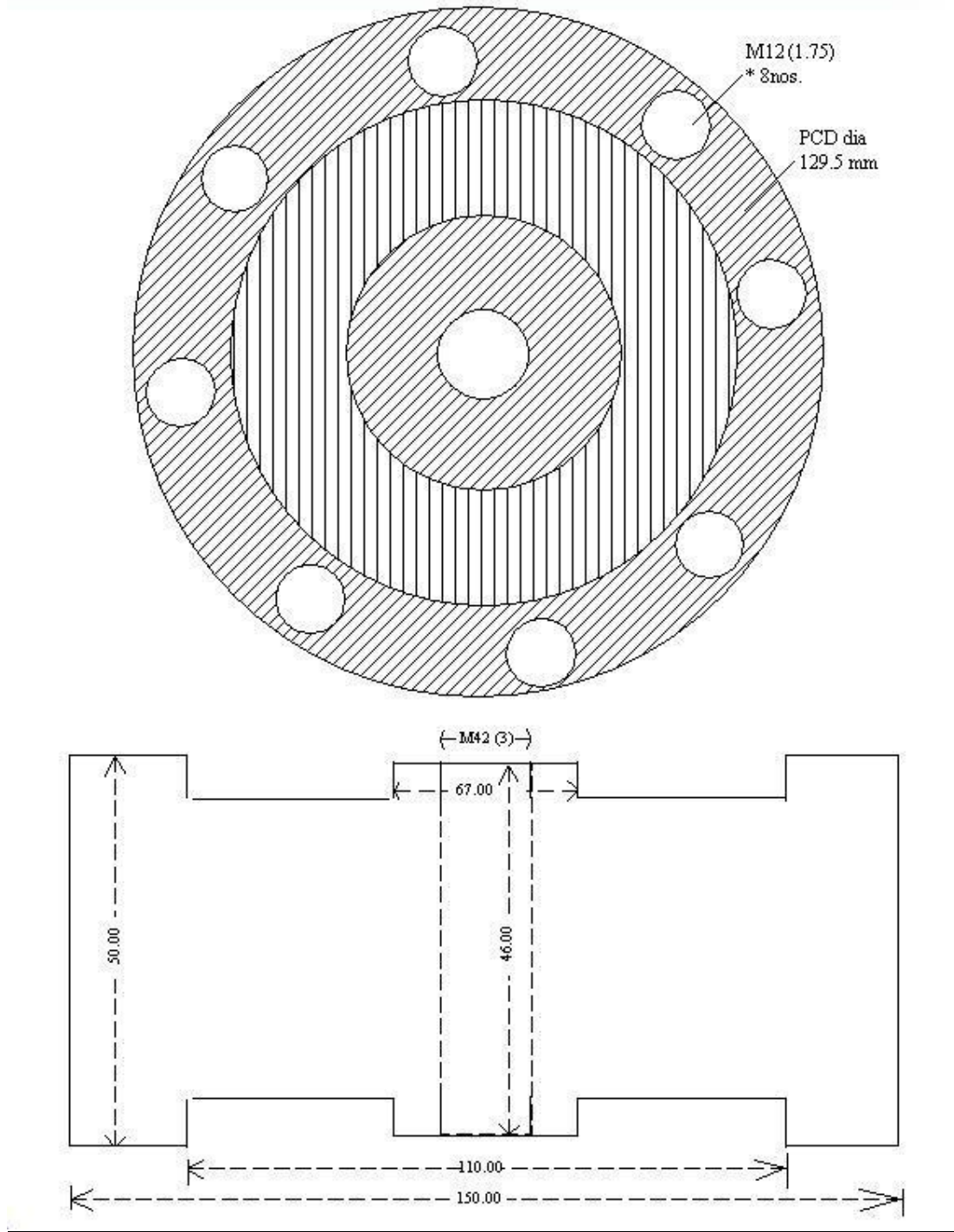
EC are high performance, low cost, Pancake-type loadcell with excellent sensitivity and repeatability. The design is suggested for the Compression & Tension, which includes Testing Machines. And are also very widely used for the conversion of the existing machines to electronics..



### PERFORMANCE SPECIFICATION

Rated Capacities (Kg.)	10, 15, 20, 25, 30, 35, 40, 50, 60 Tonne
Rated Output	1mV/V $\pm$ 10%
Non-linearity	< $\pm$ 0.02% of Full Scale
Creep (30 Mins)	< $\pm$ 0.03% of Full Scale
Zero	< $\pm$ 2% of Full Scale
Hysteresis	< $\pm$ 0.02% of Full Scale
Repeatability	< $\pm$ 0.02% of Full Scale
Temp. Effect on Output	< $\pm$ 0.012% Load / 10°C
Temp. Effect on Zero	< $\pm$ 0.02% R.O. / 10°C
Compensated Temp. Range	-10°C to 50°C
Operating Temp. range	-20°C to 60°C
Safe Overload	150 % of Rated Capacity
Input Impedance	200 $\pm$ 50 Ohms
Output Impedance	175 $\pm$ 25 Ohms
Insulation Resistance	> 2000 Mohms (50 VDC)
Recommended Excitation	5 - 12 VDC
Maximum Excitation	15 VDC
Cable Connection	Input: Red (+) White/Yellow (-) Output: Green(+), Blue/Black(-)

**DIMENSIONS:-**



All dimensions are in mm (inch)

Specification subjected to change without notice.

**FEATURES**

- Special grade electro-less nickel-plated tool steel construction
- Economically priced, low cost
- High Accuracy 0.03%
- Loadcell can be used in Tension / Compression